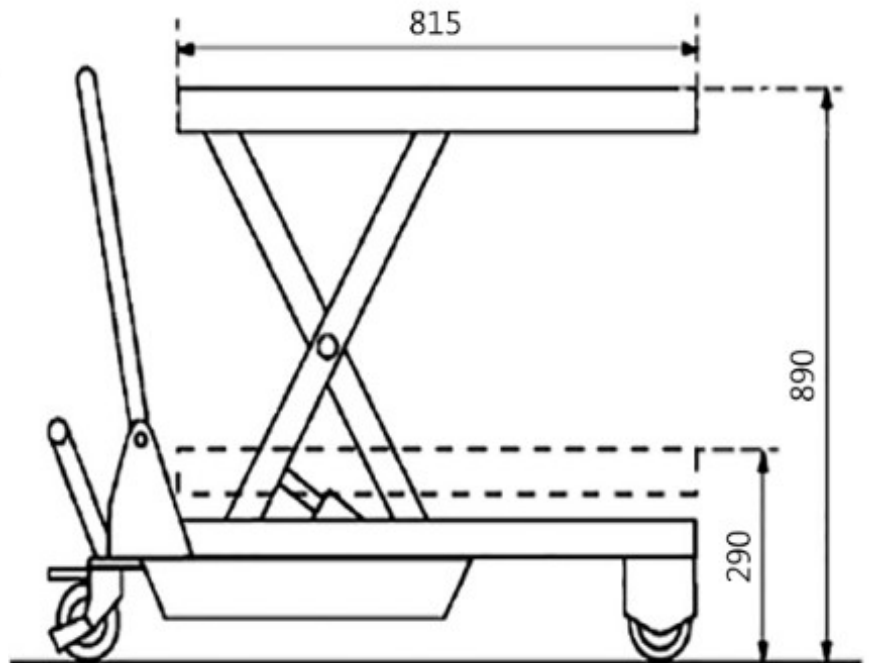


## TF50S - Scissor Lift Trolley 450kg (Stainless Steel)

Lift It Easy with a Stainless Steel Scissor Lift Trolley!  
Effortless Lifting. Maximum Safety.

### Benefits:

- **Superior Corrosion Resistance:** The entire top platform is constructed from high-grade stainless steel, ensuring exceptional resistance to rust and wear, perfect for clean rooms, food processing facilities, and more.
  - **Safe and Secure Lifting:** Experience peace of mind with a positive braking system on the rear wheels. This feature guarantees the trolley stays firmly in place, preventing accidents and injuries.
  - **Effortless Operation:** The manual push design allows for easy manoeuvring, while the precision hydraulic foot pump provides smooth and controlled lifting with minimal effort.
- Quick and Efficient:** The convenient quick-release system facilitates the controlled lowering of the platform, maximising your safety.



### SPECIFICATIONS

- Capacity: 450kg
- Table Height Range: 290mm - 890mm
- Table Dimensions: 700mm x 815mm x 500mm