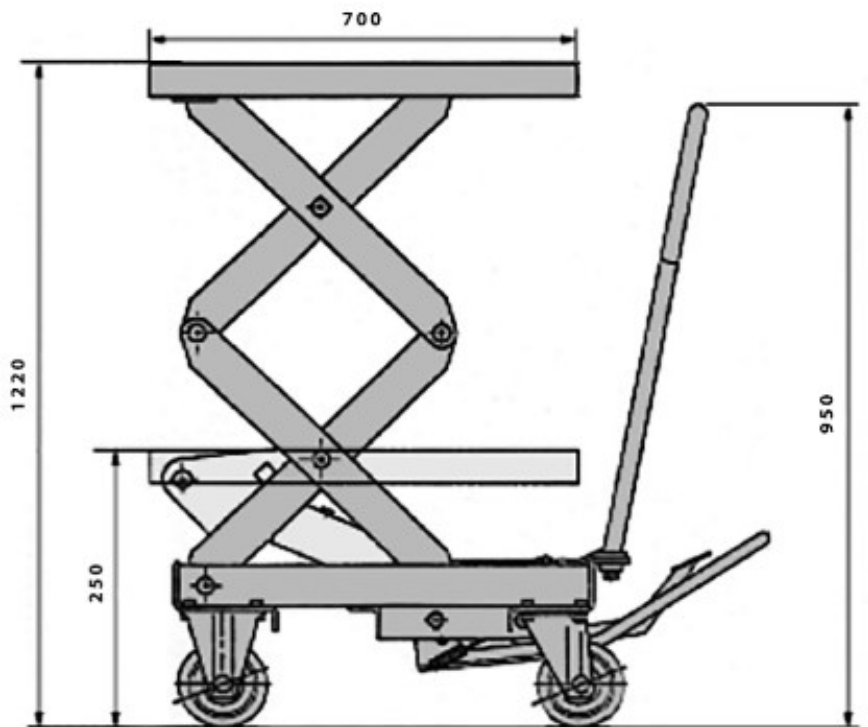


TFD15S - Scissor Lift Trolley 100kg (Stainless Steel)

**Lift It Easy with a Stainless Steel Scissor Lift Trolley!
Effortless Lifting. Maximum Safety.**

Benefits:

- **Superior Corrosion Resistance:** The entire top platform is constructed from high-grade stainless steel, ensuring exceptional resistance to rust and wear, perfect for clean rooms, food processing facilities, and more.
 - **Safe and Secure Lifting:** Experience peace of mind with a positive braking system on the rear wheels. This feature guarantees the trolley stays firmly in place, preventing accidents and injuries.
 - **Effortless Operation:** The manual push design allows for easy manoeuvring, while the precision hydraulic foot pump provides smooth and controlled lifting with minimal effort.
- Quick and Efficient:** The convenient quick-release system facilitates the controlled lowering of the platform, maximising your safety.



SPECIFICATIONS

- Capacity: 100kg
- Table Height Range: 250mm - 1220mm
- Table Dimensions: 700mm x 445mm x 53mm