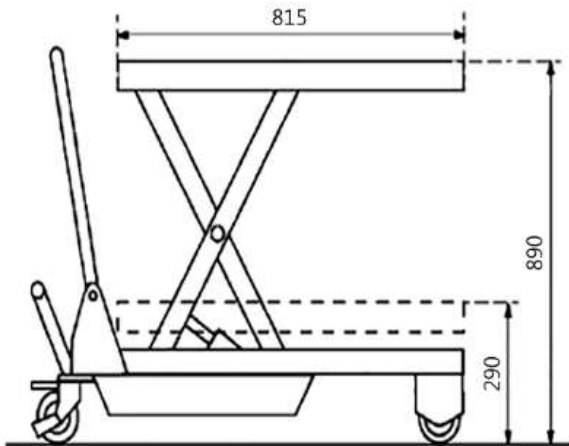
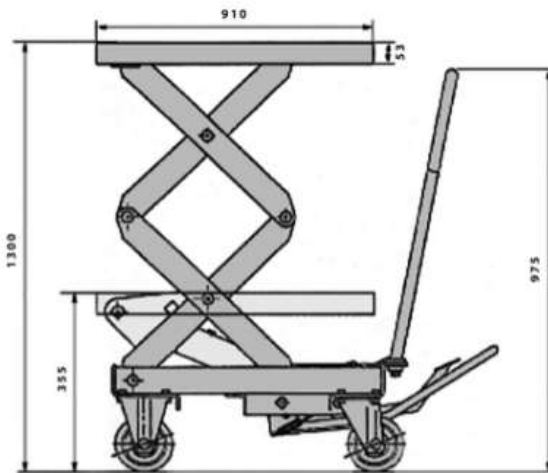


Stainless Steel Top - Scissor Lift Table - Manual



Measurement Unit: mm



Measurement Unit: mm

DATA SHEET

Model	TF50S
Capacity	450kg
Table height range	290-890mm
Dimensions of table	815 X 500mm
Castor Wheel	125 X 40mm
N.W.	78kg
Warranty	1 year

DATA SHEET

Model	TFD 35S
Capacity (kg)	350
Table height range (mm)	355-1300
Dimensions of the table (mm)	910 x 500 x 53
Castor Wheel (mm)	125 x 40
N.W (kg)	136
Height of handle from ground (mm)	975