

## SL101—Glass Trolley 80kg

---

**Effortless Glass Handling with the SL Glass Trolley!**

**Single-person operation:** Unload, transport & install glass (up to 80kg) with ease.

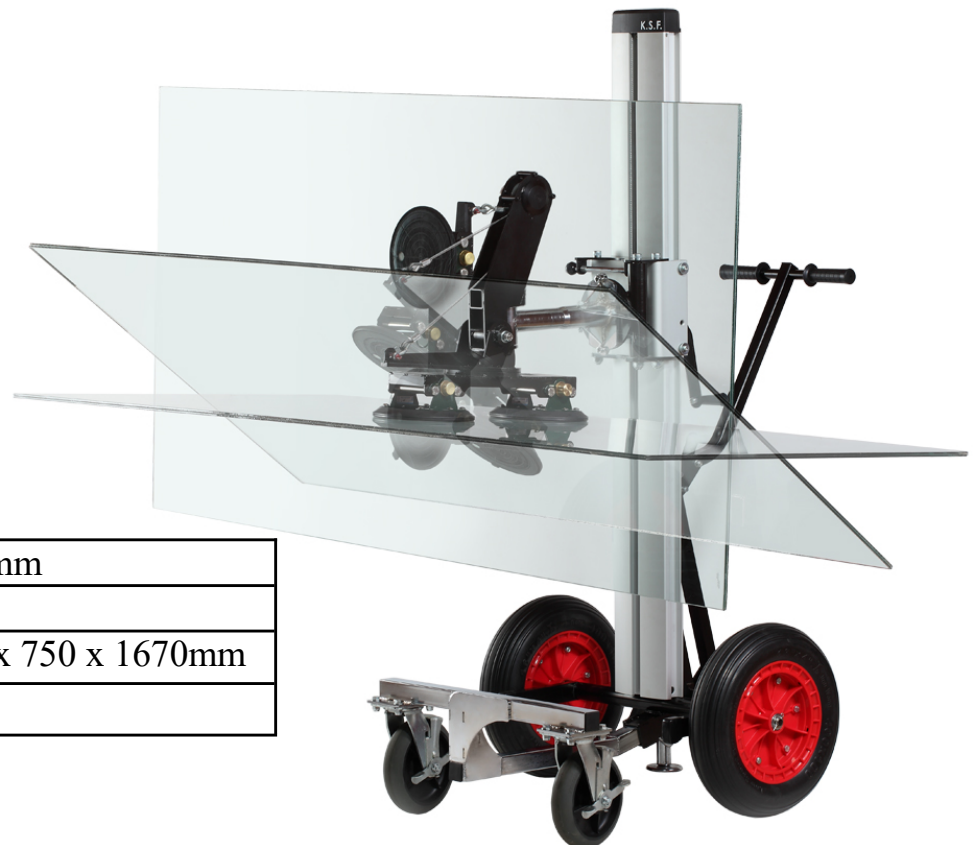
**Slim design:** Manoeuvre through doorways with the movable glass holder.

**Precise positioning:** Lift, tilt & rotate glass for perfect installation.

**Folds for storage:** Convenient transport & space-saving.

**Safe & secure:** Locks in place for loading & unloading.

**Boost your efficiency & protect your back!**



### Specifications:

Lifting Height	1500mm
Capacity	80kg
Dimensions	1170 x 750 x 1670mm
Weight	91kg